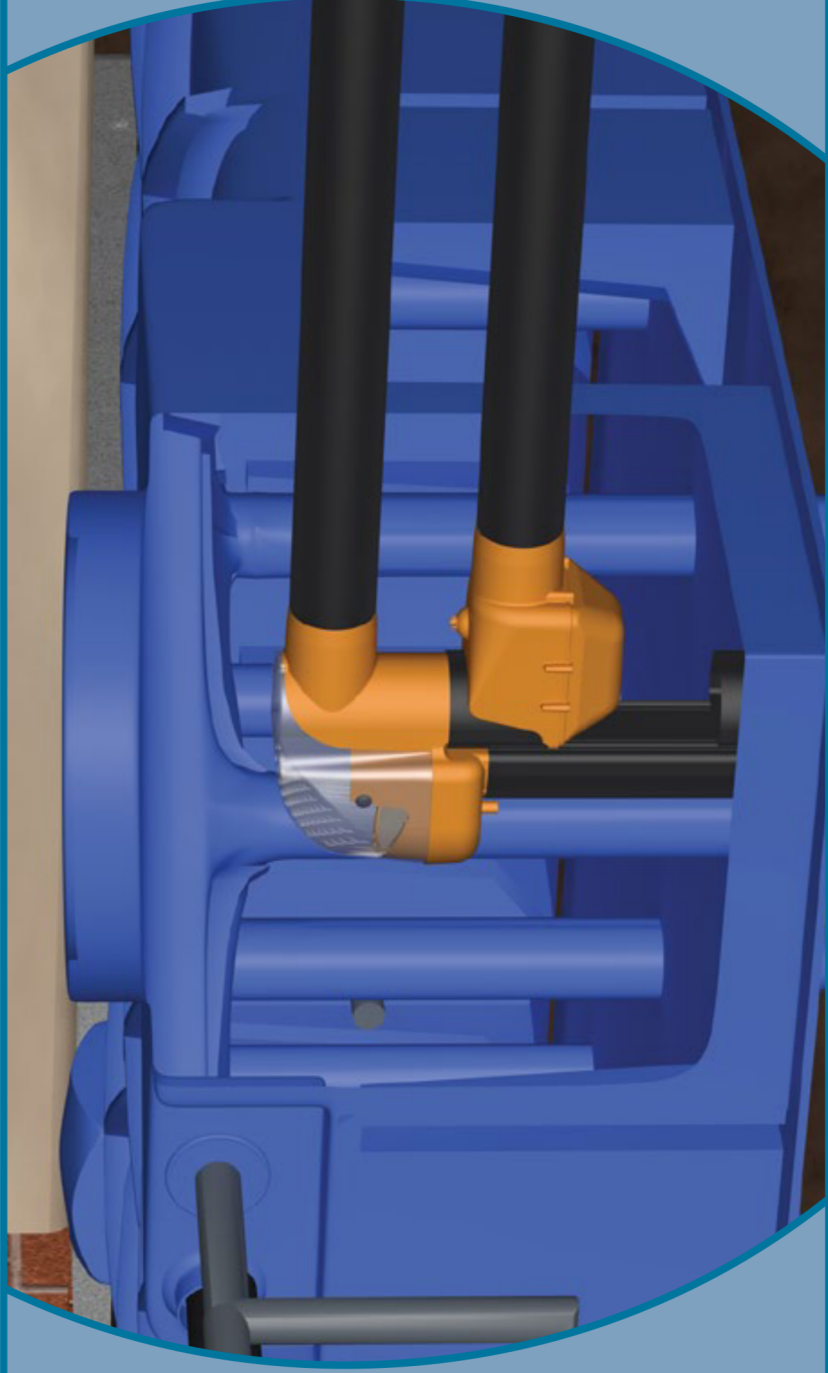




# Rain Activ SuDS Solution



**Ultra Low Discharge SuDS Device Manufactured By RainWater Harvesting Limited**

## Who We Are...

At FarWater Harvesting Ltd we are proud to be one of the UK's leading manufacturers and suppliers of rainwater harvesting equipment

During the last decade, our name has become synonymous with the industry for high quality, technologically advanced British made products

Our products have always differentiated themselves with the industry with intelligent design and high quality manufacture. Because we engineer and organise concept development through CAD, too rigorous and take the end product to market, nobody understands our products better than we do

Our advancements such as the **Rain Director**® and easy to install shower tanks have made rainwater harvesting an ever better idea than before. Making systems easier and more cost effective to install, smarter and vastly more energy efficient to use

Following on from our success in the rainwater harvesting market we are now able to offer a revolutionary device which allows you to have a SuDS solution with reduced byow discharge rates

We have designed a solution for new build projects, both for the domestic and light commercial use

We enter to the market, establish the requirements and then provide the solution

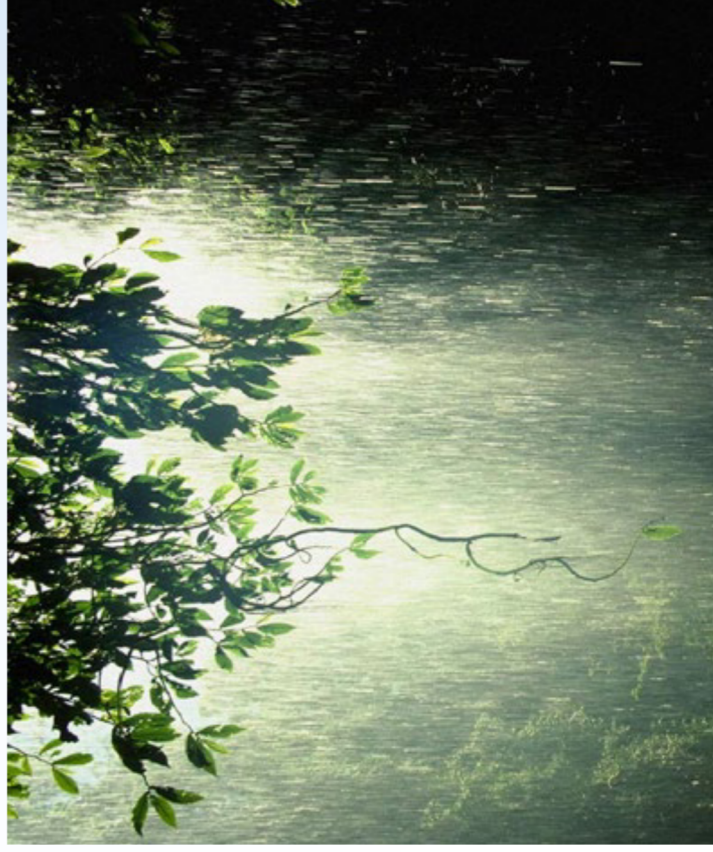
# Why Rain Activ?

Rain Activ is an exciting opportunity, both to large developers and self-builders alike

The system has succeeded in reducing SuDS costs during planning, purchase and installation

As well as simply reducing costs, Rain Activ far outperforms its competitors in numerous key areas

- Industry leading, ultra low storm water discharge rates
- Professional contractor with full Micro Drainage calculations provided
- Arrives to site fully assembled and ready to install
- No moving or consumable parts and fully self-clearing
- Add rainwater harvesting for very little extra cost
- Designed and manufactured in the UK



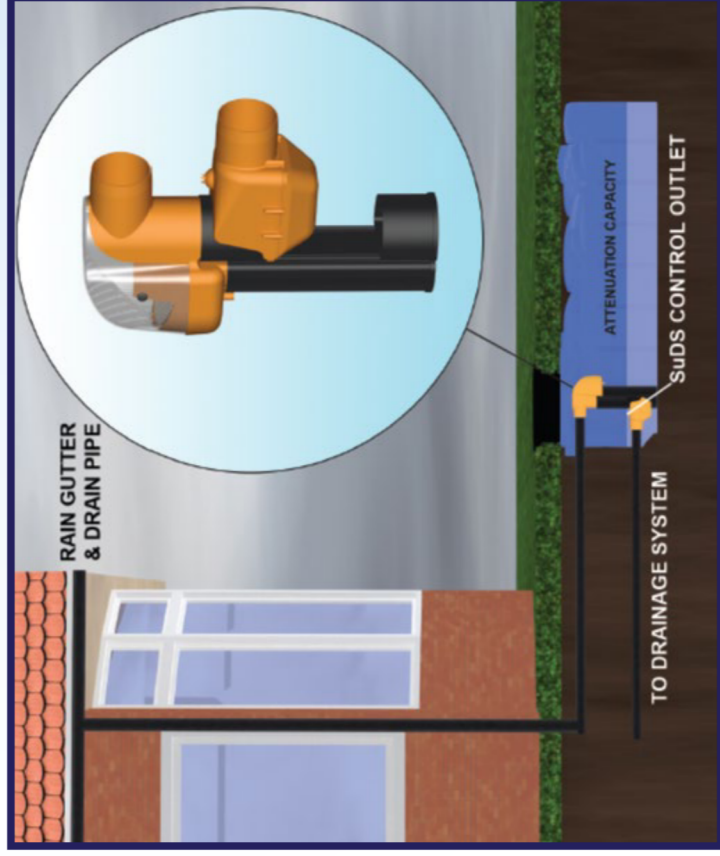
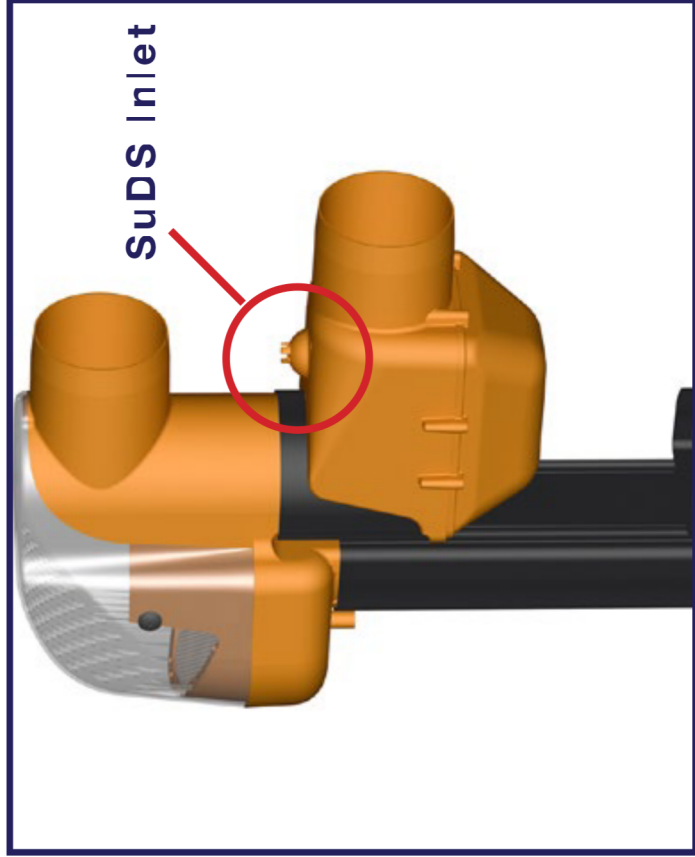
Due to recent flooding incidents, planners are putting a high emphasis on new developments to include an effective drainage strategy

Rain Activ provides a new, higher performing, lower cost alternative to traditional storm attenuation systems

# How Rain Activ Works

Rain Activ uses a simple, pre-assembled, shallow rainwater storage tank, along with a self-clearing filter and a controlled discharge valve.

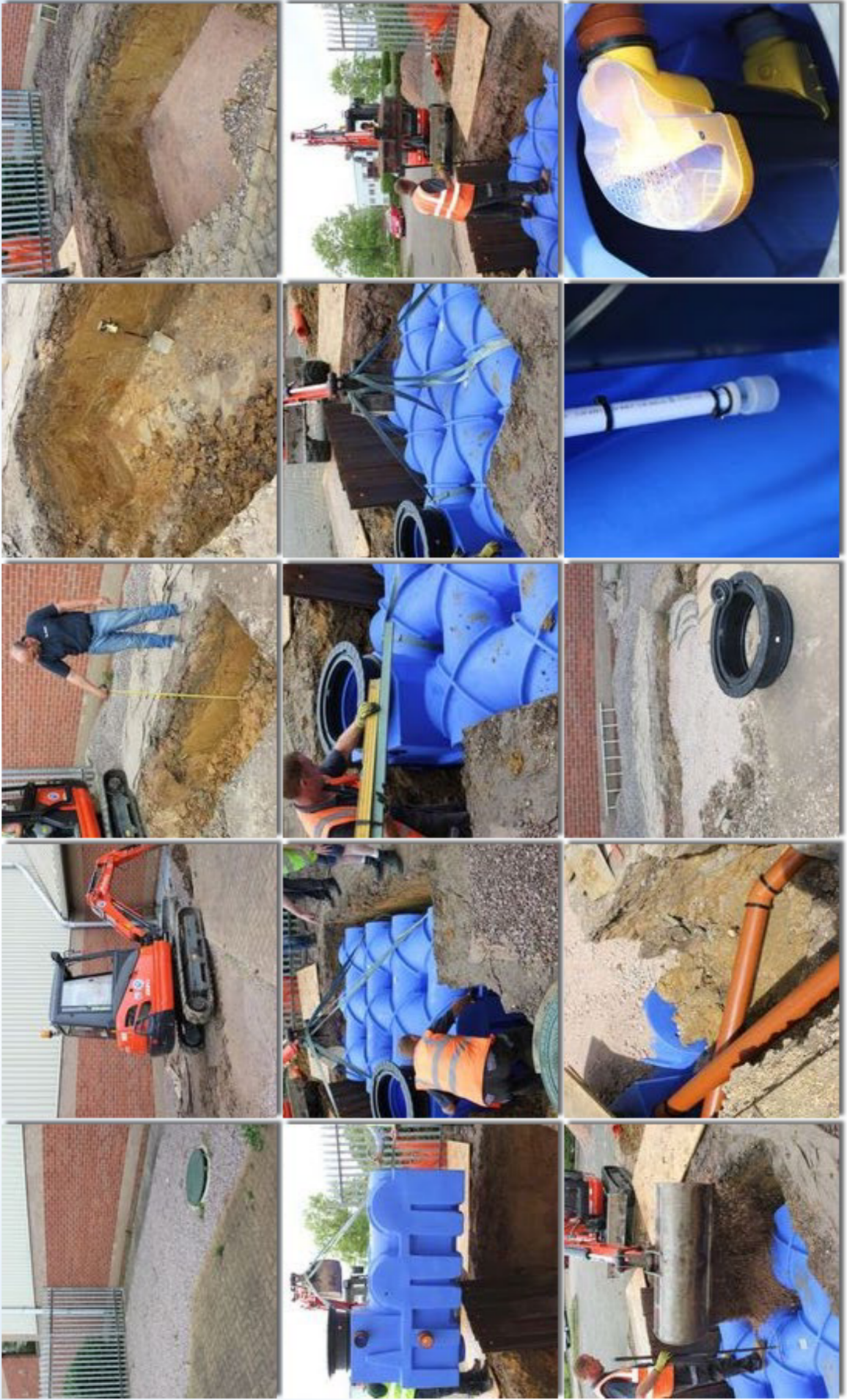
Rainwater from the roof is heavy filtered as it enters the tank, removing any particles larger than 1mm. Once the rainwater reaches a set level within the tank it is discharged at a controlled rate. Due to the quality of filter provided, a very small force can be used without the risk of blockage. For this reason, Rain Activ can provide industry-leading rates of discharge as low as 0.05 litres per second.



Every system we see is bespoke, and calibrated to each site's requirements. Our engineers use Micro Drainage™ hydraulic modelling software to ensure the system discharges at the desired peak rate during a storm event.

As the system is ready to connect to various key components, such as the tank and high quality filter, the addition of a submersible pump and management system turns the system into a full domestic rainwater harvesting system.

# Typical Tank Installation



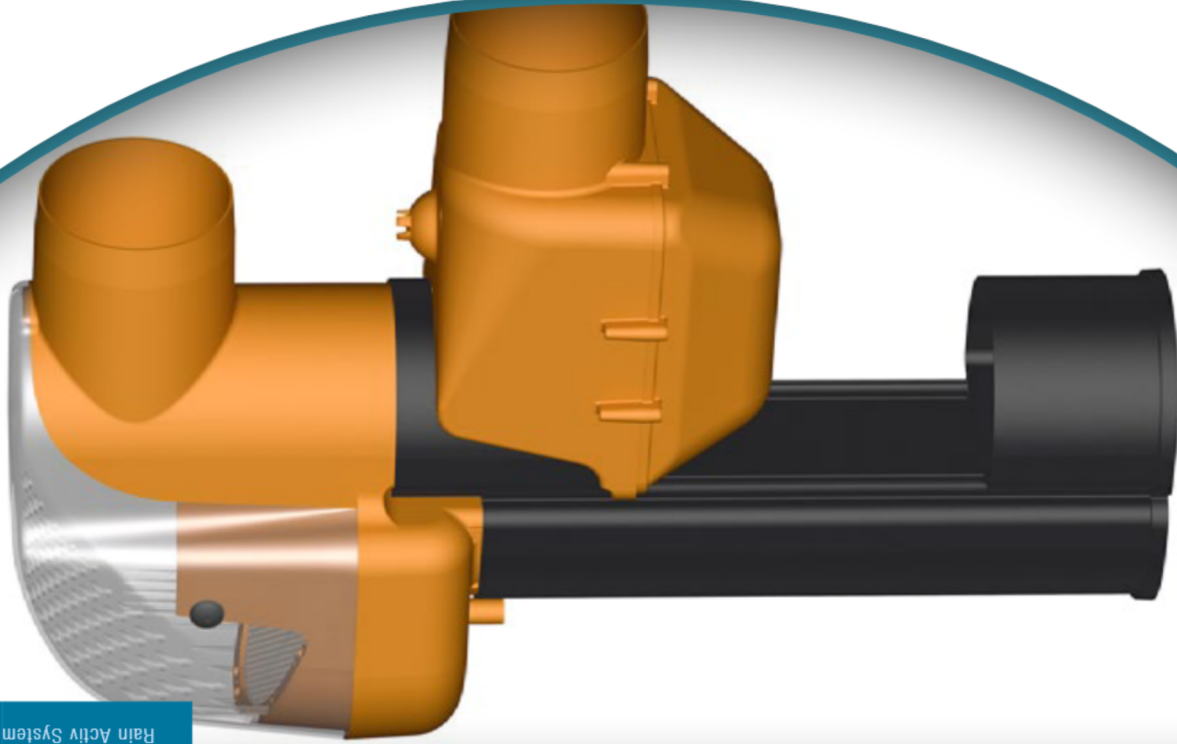
## Ultra Low Discharge Rates

Rain Activ delivers new industry low levels of storm water attenuation. The systems can be calibrated to provide a calculated discharge value as low as 0.05 litre per second, up to 2 litres per second, dependant on site requirement.

With discharge levels this low, Rain Activ provides a solution for sites that have previously found meeting storm attenuation criteria difficult or impossible. These include:

- Smaller developments (1-10 homes) where the rate of storm water is not great enough for effective use of vortex flow control.
- Greenfield sites.
- Sites with very low discharge rates stipulated by planning.
- Contaminated sites.  
*\*Fully enclosed system with a max excavation depth of 1.5m*

Rain Activ produces a much flatter discharge curve than other storm attenuation systems. This means the system can help reduce stress on the drainage network over a greater range of storm events, rather than being calibrated to one specific event.



## Calibrating Rain Activ

Our design team calibrates every Rain Activ system bespoke to site requirements.

Our extensive hydraulic modeling capabilities and field testing procedures academically supported data in order to calibrate the system correctly.

- Storm event to be catered for
- % Catchment
- Required runoff rate
- Roof size
- Geographic location
- Potential water usage (for combining with Rainwater Harvesting)

Using the data provided above, our experts use Micro Drainage™ hydraulic modeling software to test the system and provide documentation ready for immediate submission to planning authorities.



# How Rain Activ Reduces Costs



**Planning** - Rain Activ provides developers with a new tool to maximise building area and reduce SuDS costs. By controlling the discharge rate at source, expensive and "space intensive" secondary storm attenuation devices, such as balancing ponds and wetlands, can be minimised or even excluded from plans.



**Installation** - Rain Activ arrives fully assembled and ready to fit. The use of a single piece, shallow dig tank means even a large tank (7500L) will require only 1.5m of excavation. Costs are further reduced as no concrete or specialist training is required.



**Maintenance** - Rain Activ contains no moving parts and is fully self cleaning. Once installed, all maintenance (typically one annual visual check) can be the responsibility of the homeowner.

## Smart Planning Options

Use of Rain Activ on a development can significantly reduce the space required and long term running costs of traditional SuDS elements such as wetlands and ponds.

When used in conjunction with our industry leading rainwater harvesting systems, homes will also see a significant increase in environmental credentials, and a decrease in water charges.





## Easy Maintenance

Maintenance is vital for any storm attenuation system to work effectively. Rain Activ's self-cleaning design has no moving or consumable parts making maintenance simple, quick and safe.

The system utilizes tried and tested self-cleaning technology, removing and discarding all leaves and debris retaining 98% of collected water.

Maintenance frequency can be as low as once every 12 months with each check taking around 5 minutes.



### How is Rain Activ maintained?

Remove the manhole cover

Visually inspect for any major debris present then replace the cover

If large or non-moving debris is present, remove the filter head and wash under a tap

Replace the filter head

Replace the manhole cover



## Dual Purpose System

Excellent storm attenuator combined with all the benefits of rainwater harvesting

Why simply let rainwater drain away? Far Actv provides all the benefits of a traditional SUDS system whilst providing free water for gardens, toilets and washing machines

As major parts of the infrastructure, such as the tanks and filtration systems, are already in place, adding rainwater harvesting is as simple as installing a pump and management unit

Over the last 10 years we have become industry leaders in low energy, smart rainwater harvesting systems. The latest generation systems can save 50% from a water bill whilst running costs are less than 1p per person per day



# Contact Us

Jarred Lester	Business Development	jarred@rainwaterharvesting.co.uk	01733 405 114
Ar Woodcock	Sales / Technical	arw@rainwaterharvesting.co.uk	01733 405 104
Rob Cooper	LK / Irrigators Sales	rob@rainwaterharvesting.co.uk	01733 405 103
Steve Windsor	Purchasing & Logistics	steve@rainwaterharvesting.co.uk	01733 405 105



Telephone +44 (0)1733 405111  
Trade Website [www.suds-solutions.co.uk](http://www.suds-solutions.co.uk)  
Shop Website [www.rainwaterharvesting.co.uk](http://www.rainwaterharvesting.co.uk)

Rainwater Harvesting Ltd  
Unit A Farrer Park  
Southgate Way  
Orton Southgate  
Peterborough  
PE2 6YQ